

Set - EV-T2M3SO12-4P-P-SET



1164423

<https://www.phoenixcontact.com/pl/produkty/1164423>

Please be informed that the data shown in this PDF document is generated from our Online Catalog. Please find the complete data in the user documentation. Our General Terms of Use for Downloads are valid.



CHARX connect, Set, Combination of infrastructure charging socket, protective cover, and rear protective cap for strain relief and touch protection, rear protective cover screw connection, with temperature sensors, with LED status indicator within the protective cover, can be reconnected, For charging electric vehicles (EV) with alternating current (AC), compatible with infrastructure charging plugs, Type 2, IEC 62196-2, 32 A / 480 V (AC), without cable, Rear panel mounting, M5 thread, Premium with LED cover, "PHOENIX CONTACT" logo

Product Description

Infrastructure charging sockets with protective cover, for charging electric vehicles (EV) with alternating current (AC), compatible with Type 2 Infrastructure Plugs. For installation at charging stations for E-Mobility (EVSE)

Your advantages

- Charging status intuitively visible at a glance with color LED indicator
- Protected against overheating with precise temperature measurement
- Flexible mounting and easy maintenance with plug-in cables
- Available with your logo on request – for consistent branding of your charging station
- Waterproof and dirtproof due to fully molded contacts
- Developed and produced in accordance with the IATF 16949 automotive standard and ISO 9001
- Uniform, space-saving installation space

Set - EV-T2M3SO12-4P-P-SET



1164423

<https://www.phoenixcontact.com/pl/produkty/1164423>

Commercial Data

Item number	1164423
Packing unit	1 pc
Minimum order quantity	1 pc
Sales Key	XWBADC
Product Key	XWBADC
GTIN	4063151177089
Weight per Piece (including packing)	587.6 g
Weight per Piece (excluding packing)	378 g
Customs tariff number	85366990
Country of origin	DE

Set - EV-T2M3SO12-4P-P-SET

1164423

<https://www.phoenixcontact.com/pl/produkty/1164423>

Set consists of

Protective cover

Protective cover - EV-T2SOC-P - 1164297

<https://www.phoenixcontact.com/pl/produkty/1164297>



CHARX connect, Protective cover, self-closing, rear protective cover screw connection, with LED status indicator within the protective cover, for attaching to infrastructure charging sockets, Type 2, IEC 62196-2, Front mounting, M5 thread, Premium, Embossed PHOENIX CONTACT logo

Infrastructure charging socket

Infrastructure charging socket - EV-T2M3SO12-4P-P - 1164299

<https://www.phoenixcontact.com/pl/produkty/1164299>



CHARX connect, Infrastructure charging socket, rear protective cover screw connection, with temperature sensors, can be reconnected, For charging electric vehicles (EV) with alternating current (AC), compatible with infrastructure charging plugs, Type 2, IEC 62196-2, 32 A / 480 V (AC), without cable, Rear panel mounting, M5 thread, Premium, "PHOENIX CONTACT" logo

Technical Data

Product properties

Product type	Infrastructure charging socket
Set consists of	1164299 EV-T2M3SO12-4P-P 1164297 EV-T2SOC-P
Application	For charging electric vehicles (EV) with alternating current (AC) compatible with infrastructure charging plugs
Type	Combination of infrastructure charging socket, protective cover, and rear protective cap for strain relief and touch protection rear protective cover screw connection with temperature sensors with LED status indicator within the protective cover can be reconnected
Locking type	Locking in the inserted state with a locking mechanism
Insertion force	< 100 N
Affixed logo	"PHOENIX CONTACT" logo
Charging standard	Type 2
Charging mode	Mode 3, Case B

Electrical properties

Number of phases	3
Type of signal transmission	Pulse width modulation
Type of charging current	AC 3-phase
Note on the connection method	Connection via spade connector, separable
Maximum capacity	22 kW

Power contact

Number	5 (L1, L2, L3, N, PE)
Rated voltage	480 V AC
Rated current	32 A

Signal contact

Number	2 (CP, PP)
Rated voltage	30 V AC
Rated current	2 A

Temperature sensors

Sensor type	PTC chain
Standards/regulations	DIN EN 60738-1
Recommended measured current	≤ 1 mA ($U_{\max} = 24$ V DC)

Locking actuator

Possible power supply range at the motor	9 V ... 16 V
Maximum voltage for locking detection	30 V

1164423

<https://www.phoenixcontact.com/pl/produkty/1164423>

Typical motor current for locking	0.2 A
Reverse current of the motor	max. 1 A
Max. dwell time with reverse current	1000 ms
Recommended adaptation time	600 ms
Pause time after entry or exit path	3 s
Service life insertion cycles	> 10000 load cycles
Ambient temperature (operation)	-30 °C ... 50 °C
Cable length	0.5 m
Cable structure	4 x 0.5 mm ²
Lock recognition	available
Mechanical emergency release	available

Dimensions

Width	75 mm
Height	91.71 mm
Depth	87.95 mm (with attachable cap for strain relief and touch protection, see accessories)
	73.35 mm (without attachable cap for strain relief and touch protection, see accessories)
Bore dimensions	60 mm x 60 mm

Material specifications

Color Housing	black
Contact surface	Ag
Material	Plastic

Connector

Insertion/withdrawal cycles	> 10000
-----------------------------	---------

Cable / line

Cable structure

Cable type	without cable
Single wire, cross section	6 mm ²

Mechanical properties

Mechanical data

Insertion force	< 100 N
Withdrawal force	< 100 N

Environmental and real-life conditions

Ambient conditions

Degree of protection (when plugged in)	IP44 (plugged in)
Degree of protection	IP44 (plugged in)
	IP54 (with protective cover, see accessories)

Set - EV-T2M3SO12-4P-P-SET



1164423

<https://www.phoenixcontact.com/pl/produkty/1164423>

Ambient temperature (operation)	-30 °C ... 50 °C
Ambient temperature (storage/transport)	-40 °C ... 80 °C
Altitude	5000 m (above sea level)

Standards and regulations

Standards

Standards/regulations	IEC 62196-2
-----------------------	-------------

Mounting

Mounting type Rear panel mounting 0 to 90 degree frontal inclination possible	Rear panel mounting 0 to 90 degree frontal inclination possible
Mounting type rear available separately	rear available separately
Possible mounting positions	Rear panel mounting
Restrictions to mounting position	Only 0 to 90 degree frontal inclination possible, see figure
Max. wall thickness	max. 50 mm (Rear panel mounting, normative maximum specification for infrastructure plug) max. 28 mm (Rear mounting, normative maximum specification for infrastructure plug when using protective cover 1405217)
Mounting hole diameter	7.00 mm (ø)
Fixing screws	M5 thread
Screws included in the scope of delivery	none
Screw connection of a protective cover	Only rear mounting possible
Position of the locking actuator	top center

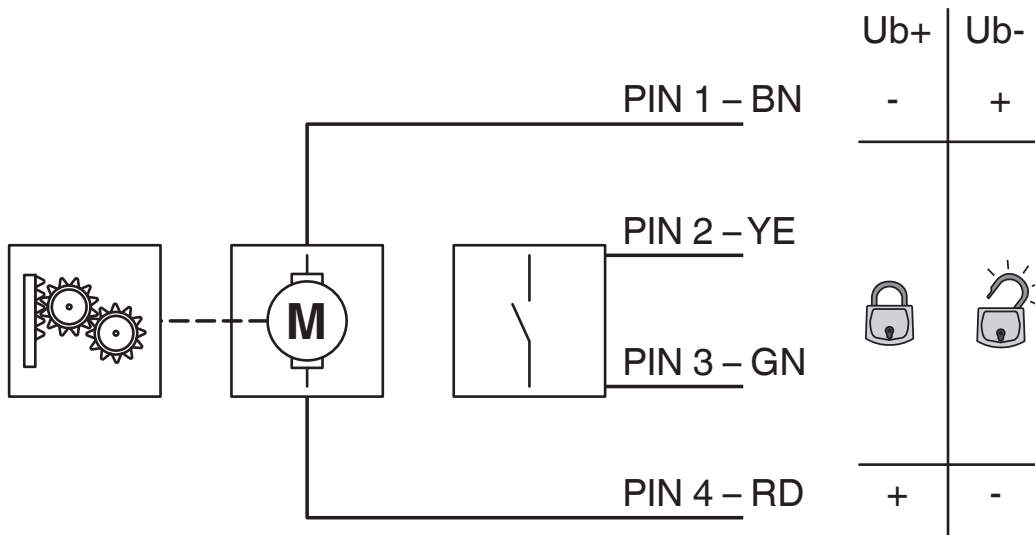
Set - EV-T2M3SO12-4P-P-SET

1164423

<https://www.phoenixcontact.com/pl/produkty/1164423>

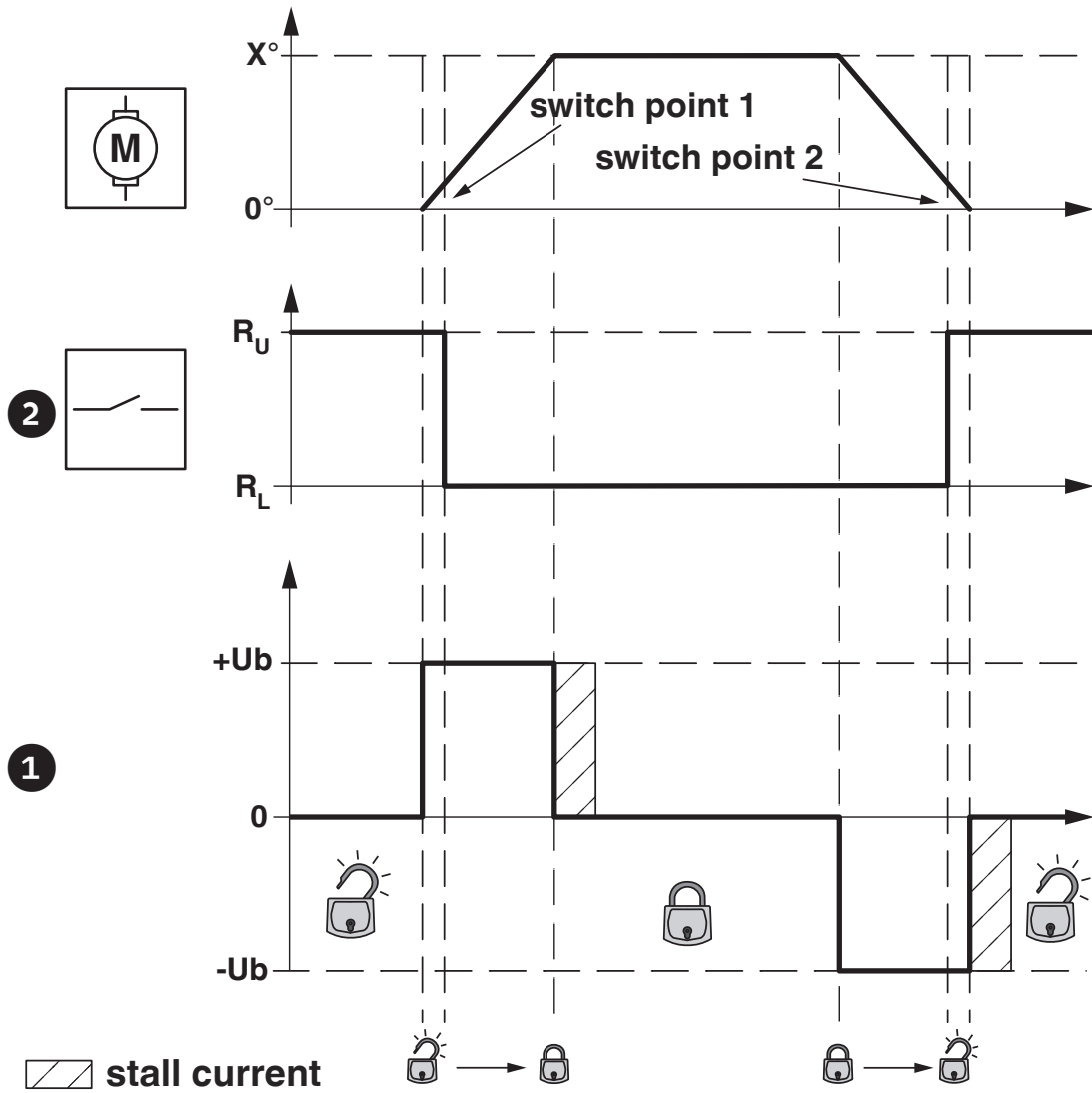
Drawings

Block diagram



Block diagram of the locking actuator

Schematic diagram



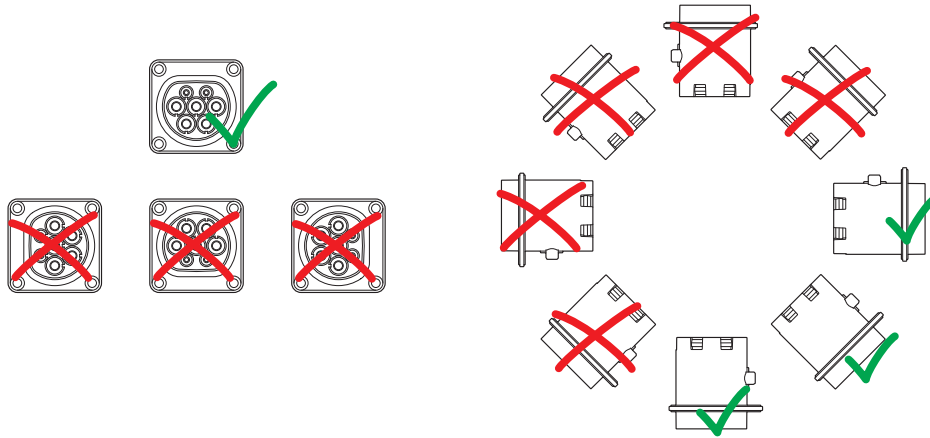
Locking states of the locking actuator

Set - EV-T2M3SO12-4P-P-SET

1164423

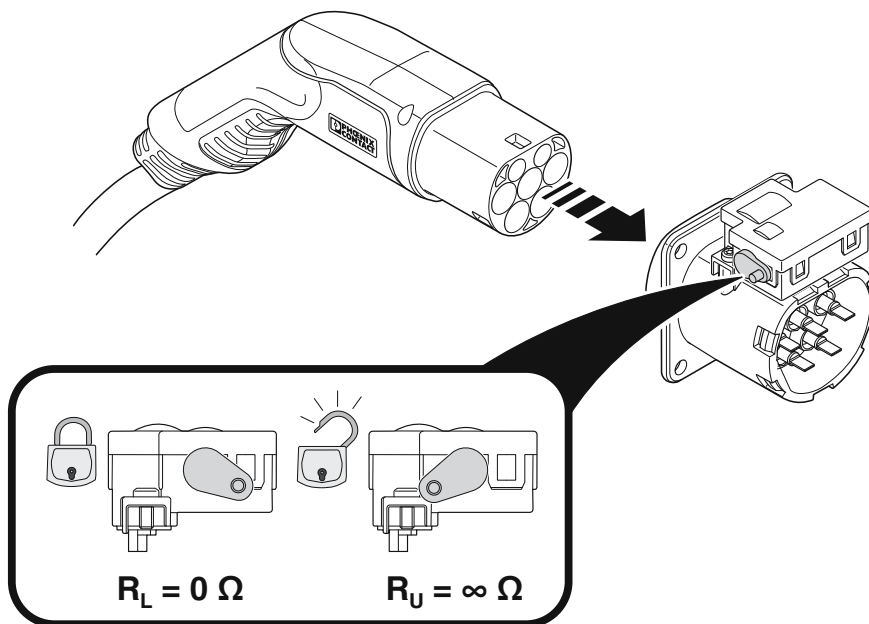
<https://www.phoenixcontact.com/pl/produkty/1164423>

Schematic diagram



Installation positions

Schematic diagram



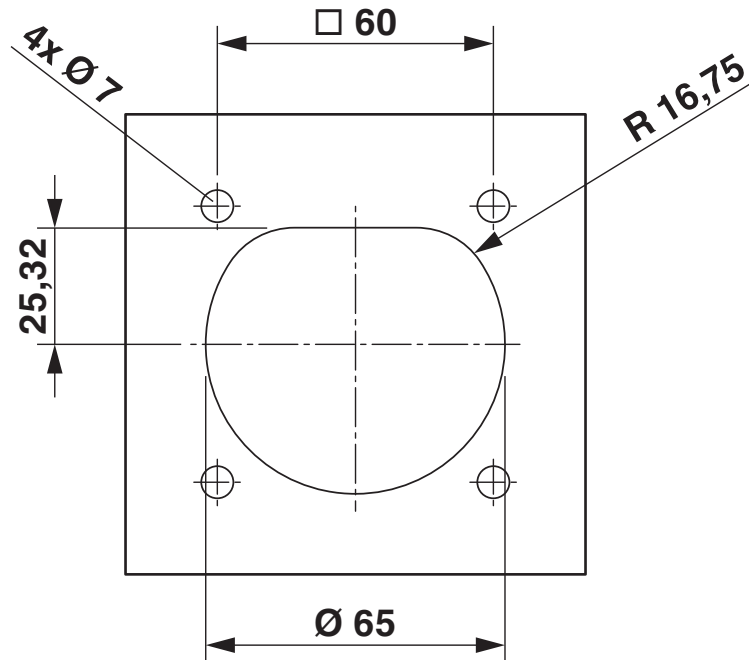
Position of the emergency unlocking lever on the locking actuator

Set - EV-T2M3SO12-4P-P-SET

1164423

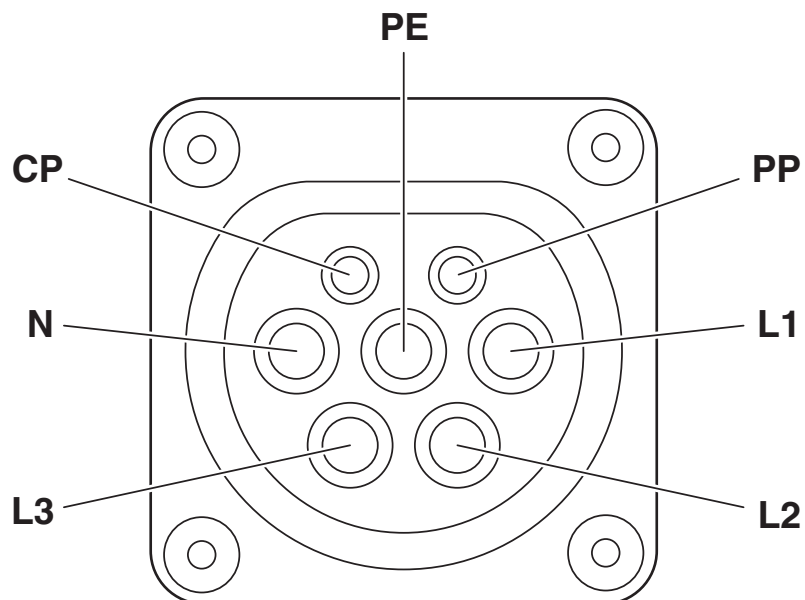
<https://www.phoenixcontact.com/pl/produkty/1164423>

Schematic diagram



Hole image

Connection diagram



Pin assignment of infrastructure charging socket

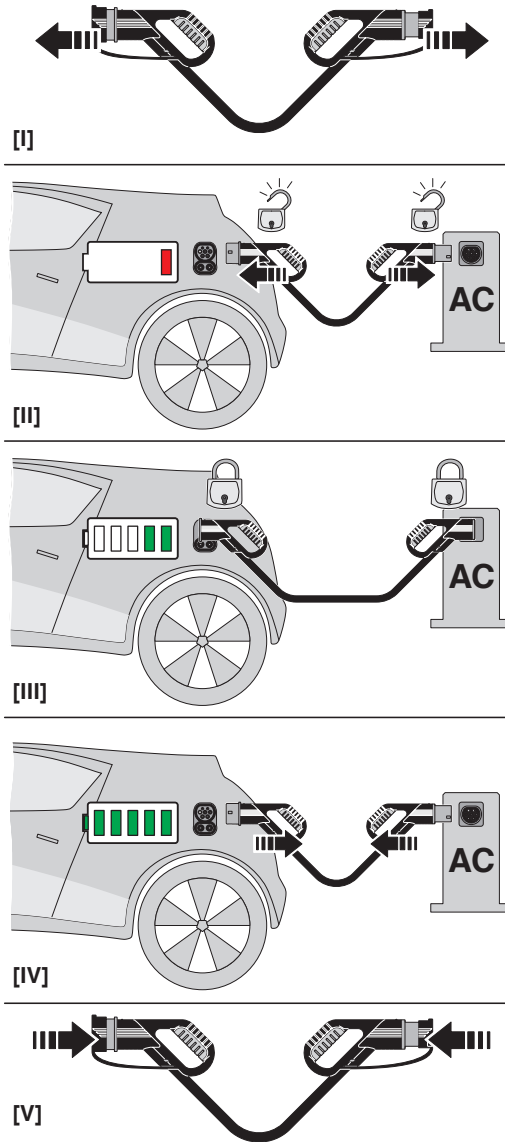
Set - EV-T2M3SO12-4P-P-SET

1164423

<https://www.phoenixcontact.com/pl/produkty/1164423>



Schematic diagram



Operating instructions

Set - EV-T2M3SO12-4P-P-SET



1164423

<https://www.phoenixcontact.com/pl/produkty/1164423>

Classifications

ECLASS

ECLASS-9.0	27144706
ECLASS-10.0.1	27144706
ECLASS-11.0	27144706

ETIM

ETIM 8.0	EC002898
----------	----------

UNSPSC

UNSPSC 21.0	39121800
-------------	----------

Set - EV-T2M3SO12-4P-P-SET



1164423

<https://www.phoenixcontact.com/pl/produkty/1164423>

Environmental Product Compliance

REACH SVHC	Lead 7439-92-1
China RoHS	Environmentally Friendly Use Period = 10; For information on hazardous substances, refer to the manufacturer's declaration available under "Downloads"

Set - EV-T2M3SO12-4P-P-SET

1164423

<https://www.phoenixcontact.com/pl/produkty/1164423>



Accessories

Type 2 surge arrester

Type 2 surge arrester - VAL-EV-T2 280/3+1 - 1180144

<https://www.phoenixcontact.com/pl/produkty/1180144>



CHARX protect: pluggable surge protective device, in accordance with Type 2 / Class II, for 3-phase power supply networks with separate N and PE (5-conductor system: L1, L2, L3, N, PE). Specifically designed for use in e-mobility.

Type 2 surge arrester

Type 2 surge arrester - VAL-EV-T2 280/3+1-R - 1180145

<https://www.phoenixcontact.com/pl/produkty/1180145>



CHARX protect: pluggable surge protective device, in accordance with Type 2 / Class II, for 3-phase power supply networks with separate N and PE (5-conductor system: L1, L2, L3, N, PE), with remote indication contact. Specifically designed for use in e-mobility.

Set - EV-T2M3SO12-4P-P-SET

1164423

<https://www.phoenixcontact.com/pl/produkty/1164423>

AC charging controller

AC charging controller - CHARX SEC-1000 - 1139034

<https://www.phoenixcontact.com/pl/produkty/1139034>



CHARX control modular, AC charging controller according to IEC 61851-1. Standard. operating mode Stand-alone or client. interface: CHARX control modular system bus. Connectable peripheral devices: Energy meter, RFID, DC residual current detection. DIN rail mounting

AC charging controller

AC charging controller - CHARX SEC-3000 - 1139022

<https://www.phoenixcontact.com/pl/produkty/1139022>



CHARX control modular, AC charging controller according to IEC 61851-1. Embedded Linux system. operating mode Stand-alone, server, or client. interface: Ethernet (2x), CHARX control modular system bus, MICRO-USB type C. communication protocol: OCPP 1.6J, Modbus/TCP, MQTT. Connectable peripheral devices: Energy meter, RFID, DC residual current detection. DIN rail mounting

Set - EV-T2M3SO12-4P-P-SET

1164423

<https://www.phoenixcontact.com/pl/produkty/1164423>

AC charging controller

AC charging controller - CHARX SEC-3050 - 1139018

<https://www.phoenixcontact.com/pl/produkty/1139018>



CHARX control modular, AC charging controller according to IEC 61851-1, ISO/IEC 15118. Embedded Linux system. operating mode Stand-alone, server, or client. interface: Ethernet (2x), CHARX control modular system bus, MICRO-USB type C. communication protocol: OCPP 1.6J, Modbus/TCP, MQTT. Connectable peripheral devices: Energy meter, RFID, DC residual current detection. DIN rail mounting

AC charging controller

AC charging controller - CHARX SEC-3100 - 1139012

<https://www.phoenixcontact.com/pl/produkty/1139012>



CHARX control modular, AC charging controller according to IEC 61851-1. Embedded Linux system. operating mode Stand-alone, server, or client. interface: Ethernet (2x), Cellular communication (4G/2G), CHARX control modular system bus, MICRO-USB type C. communication protocol: OCPP 1.6J, Modbus/TCP, MQTT. Connectable peripheral devices: Energy meter, RFID, DC residual current detection. DIN rail mounting

Set - EV-T2M3SO12-4P-P-SET

1164423

<https://www.phoenixcontact.com/pl/produkty/1164423>

AC charging controller

AC charging controller - CHARX SEC-3150 - 1138965

<https://www.phoenixcontact.com/pl/produkty/1138965>



CHARX control modular, AC charging controller according to IEC 61851-1, ISO/IEC 15118. Embedded Linux system. operating mode Stand-alone, server, or client. interface: Ethernet (2x), Cellular communication (4G/2G), CHARX control modular system bus, MICRO-USB type C. communication protocol: OCPP 1.6J, Modbus/TCP, MQTT. Connectable peripheral devices: Energy meter, RFID, DC residual current detection. DIN rail mounting

AC charging controller

AC charging controller - EM-CP-PP-ETH - 2902802

<https://www.phoenixcontact.com/pl/produkty/2902802>



EV charge control is used to charge electrical vehicles on the 3-phase AC mains power supply according to IEC 61851-1 Mode 3. All necessary control functions are integrated. Additional functions are available for various charging applications.

Set - EV-T2M3SO12-4P-P-SET

1164423

<https://www.phoenixcontact.com/pl/produkty/1164423>

Strain relief

Strain relief - EV-T2M3SO-CAP - 1202424

<https://www.phoenixcontact.com/pl/produkty/1202424>



CHARX connect, Strain relief, Touch protection, For generation 2.0 infrastructure charging socket, For plugging onto the rear of the infrastructure charging socket, Type 2, IEC 62196-2, Generation 2

Protective cover

Protective cover - EV-T2SOC-P - 1164297

<https://www.phoenixcontact.com/pl/produkty/1164297>



CHARX connect, Protective cover, self-closing, rear protective cover screw connection, with LED status indicator within the protective cover, for attaching to infrastructure charging sockets, Type 2, IEC 62196-2, Front mounting, M5 thread, Premium, Embossed PHOENIX CONTACT logo

Set - EV-T2M3SO12-4P-P-SET

1164423

<https://www.phoenixcontact.com/pl/produkty/1164423>



Cable set

Cable set - EV-T2M3SOW-1AC32A-0,3M6,0E - 1164343

<https://www.phoenixcontact.com/pl/produkty/1164343>



CHARX connect, Cable set, Cables with slip-on sleeves on one end, Only for connection to generation 2 infrastructure charging sockets from Phoenix Contact, Type 2, IEC 62196-2, 32 A / 250 V (AC), Single wires, length: 0.3 m, Generation 2

Cable set

Cable set - EV-T2M3SOW-3AC20A-0,3M2,5E - 1164355

<https://www.phoenixcontact.com/pl/produkty/1164355>



CHARX connect, Cable set, Cables with slip-on sleeves on one end, Only for connection to generation 2 infrastructure charging sockets from Phoenix Contact, Type 2, IEC 62196-2, 20 A / 480 V (AC), Single wires, length: 0.3 m, Generation 2

Set - EV-T2M3SO12-4P-P-SET

1164423

<https://www.phoenixcontact.com/pl/produkty/1164423>



Cable set

Cable set - EV-T2M3SOW-3AC32A-0,3M6,0E - 1164362

<https://www.phoenixcontact.com/pl/produkty/1164362>



CHARX connect, Cable set, Cables with slip-on sleeves on one end, Only for connection to generation 2 infrastructure charging sockets from Phoenix Contact, Type 2, IEC 62196-2, 32 A / 480 V (AC), Single wires, length: 0.3 m, Generation 2

Cable set

Cable set - EV-T2M3SOW-1AC32A-0,7M6,0E - 1164344

<https://www.phoenixcontact.com/pl/produkty/1164344>



CHARX connect, Cable set, Cables with slip-on sleeves on one end, Only for connection to generation 2 infrastructure charging sockets from Phoenix Contact, Type 2, IEC 62196-2, 32 A / 250 V (AC), Single wires, length: 0.7 m, Generation 2

Set - EV-T2M3SO12-4P-P-SET

1164423

<https://www.phoenixcontact.com/pl/produkty/1164423>



Cable set

Cable set - EV-T2M3SOW-3AC20A-0,7M2,5E - 1164361

<https://www.phoenixcontact.com/pl/produkty/1164361>



CHARX connect, Cable set, Cables with slip-on sleeves on one end, Only for connection to generation 2 infrastructure charging sockets from Phoenix Contact, Type 2, IEC 62196-2, 20 A / 480 V (AC), Single wires, length: 0.7 m, Generation 2

Cable set

Cable set - EV-T2M3SOW-3AC32A-0,7M6,0E - 1164365

<https://www.phoenixcontact.com/pl/produkty/1164365>



CHARX connect, Cable set, Cables with slip-on sleeves on one end, Only for connection to generation 2 infrastructure charging sockets from Phoenix Contact, Type 2, IEC 62196-2, 32 A / 480 V (AC), Single wires, length: 0.7 m, Generation 2

Set - EV-T2M3SO12-4P-P-SET

1164423

<https://www.phoenixcontact.com/pl/produkty/1164423>



Label

Label - EV-LABEL-C-SO - 1315521

<https://www.phoenixcontact.com/pl/produkty/1315521>

CHARX connect, Label, for AC charging cables and infrastructure charging sockets, DIN EN 17186, Marking C for AC type 2 infrastructure charging plugs and type 2 infrastructure charging sockets



Lightning/surge arrester type 1/2

Lightning/surge arrester type 1/2 - VAL-EV-T1/T2 264/12.5/3+1 - 1180149

<https://www.phoenixcontact.com/pl/produkty/1180149>



CHARX protect: pluggable lightning current arrester/surge protective device, in accordance with Type 1/2 / Class I/II, for 3-phase power supply networks with separate N and PE (5-conductor system: L1, L2, L3, N, PE). Specifically designed for use in e-mobility.

Set - EV-T2M3SO12-4P-P-SET

1164423

<https://www.phoenixcontact.com/pl/produkty/1164423>



Lightning/surge arrester type 1/2

Lightning/surge arrester type 1/2 - VAL-EV-T1/T2 264/12.5/3+1-R - 1180150

<https://www.phoenixcontact.com/pl/produkty/1180150>



CHARX protect: pluggable lightning current arrester/surge protective device, in accordance with Type 1/2 / Class I/II, for 3-phase power supply networks with separate N and PE (5-conductor system: L1, L2, L3, N, PE), with remote indication contact. Specifically designed for use in e-mobility.

Tool

Tool - EV-T2M3SO-CAP-REMOVER - 1286836

<https://www.phoenixcontact.com/pl/produkty/1286836>



CHARX connect, tool for opening the optional cap for attachment to the back of the Generation 2.0 Basic infrastructure charging socket with functions for strain relief and touch protection.

Phoenix Contact 2022 © - all rights reserved

<https://www.phoenixcontact.com>

PHOENIX CONTACT Sp. z o.o.

ul. Bierutowska 57-59, Budynek nr 3/A

51-317 Wrocław

71/ 39 80 410

pxcpl@phoenixcontact.pl